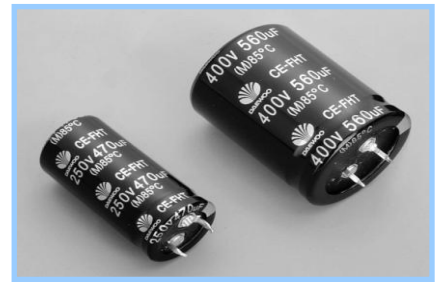


# FHT SERIES

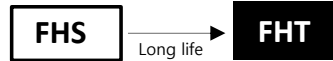
85°C, Long life, PCB terminal type

## ■ Features

- 85°C, Long life, Snap-in terminal
- PCB Mounting
- High and stable quality
- Load life of 3,000 hours at 85°C

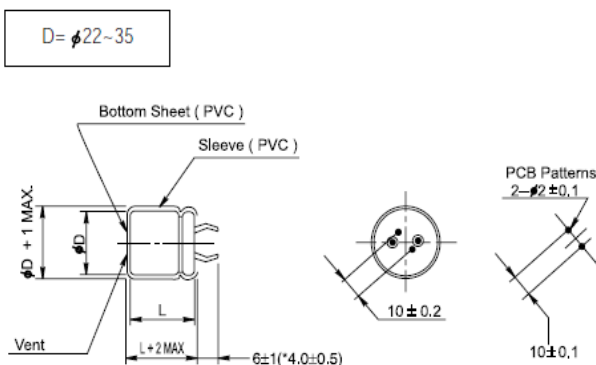


## ■ Specifications



Item	Performance Characteristics		
Operating temperature range	-40°C ~ +85°C		-25°C ~ +85°C
Rated working voltage range	160V ~ 250V		350V ~ 500V
Nominal capacitance range	56 µF ~ 2,700 µF , ±20% (at 20°C, 120Hz)		
D.C Leakage current(at 20°C)	The following specifications shall be satisfied when the rated voltage is applied for the required time $I \leq 0.02CV$ or 2mA (5min), whichever is less. Where I = Leakage current(µA)    C = Nominal capacitance(µF)    V = Rated voltage (V)		
Tan δ (max., at 20°C, 120Hz)	W.V	160~250	350~500
	Tan δ	0.15	0.20
Characteristics at low temperature(max.) (impedance ratio at 120Hz)	W.V(V)	160~250	350~500
	Z-25°C/Z+20°C	4	8
	Z-40°C/Z+20°C	12	-
Load life	After applying rated working voltage for 3,000 hours at +85°C and then being stabilized at +20°C, capacitors shall meet following limits.		
	Capacitance change	Within ± 20% of the initial measured value	
	Tan δ	≤ 200% of the initial specified value	
	Leakage current	≤ The initial specified value	
Shelf life	After storage for 1,000hours at + 85°C with no voltage applied and then being stabilized at +20°C, capacitors shall meet following limits.		
	Capacitance change	Within ± 20% of the initial measured value	
	Tan δ	≤ 200% of the initial specified value	
	Leakage current	≤ The initial specified value	

## ■ Dimensions



\* Shorter terminal is available upon request

## ■ Ripple current coefficient

• Frequency

W.V(V) \ Freq(Hz)	50	120	1K	10K	100K
16~100	0.90	1.00	1.10	1.15	1.25
160~250	0.80	1.00	1.25	1.40	1.50
350~500	0.84	1.00	1.15	1.20	1.32

