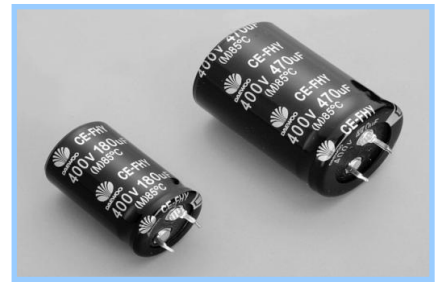


FHY SERIES

85°C, Standard, PCB terminal type

■ Features

- 85°C, miniature, Snap-in terminal
- PCB Mounting
- High and stable quality
- Smaller than FUH
- Load life of 2,000 hours at 85°C

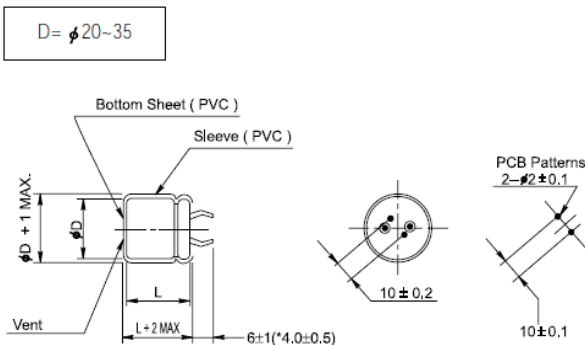


■ Specifications



Item	Performance Characteristics		
Operating temperature range	-40°C ~ +85°C		-25°C ~ +85°C
Rated working voltage range	160V ~ 250V		350V ~ 500V
Nominal capacitance range	68 µF ~ 2,700 µF , ±20% (at 20°C, 120Hz)		
D.C Leakage current(at 20°C)	The following specifications shall be satisfied when the rated voltage is applied for the required time $I \leq 0.02CV$ or 2mA (3min), whichever is less. Where I = Leakage current(µA) C = Nominal capacitance(µF) V = Rated voltage (V)		
Tan δ (max., at 20°C, 120Hz)	W.V	160~250	350~500
	Tan δ	0.15	0.20
Characteristics at low temperature(max.) (impedance ratio at 120Hz)	W.V(V)	160~250	350~500
	Z-25°C/Z+20°C	4	8
	Z-40°C/Z+20°C	12	-
Load life	After applying rated working voltage for 2,000 hours at +85°C and then listed being stabilized at +20°C, capacitors shall meet following limits.		
	Capacitance change	Within ± 20% of the initial measured value	
	Tan δ	≤ 200% of the initial specified value	
	Leakage current	≤ The initial specified value	
Shelf life	After storage for 1,000hours at + 85°C with no voltage applied and then being stabilized at +20°C, capacitors shall meet following limits.		
	Capacitance change	Within ± 20% of the initial measured value	
	Tan δ	≤ 200% of the initial specified value	
	Leakage current	≤ The initial specified value	

■ Dimensions



* Shorter terminal is available upon request

■ Ripple current coefficient

• Frequency

W.V(V) \ Freq(Hz)	50	120	1K	10K	100K
160~250	0.80	1.00	1.25	1.40	1.50
350~500	0.84	1.00	1.15	1.20	1.32

FHY SERIES

Dimensions & Maximum permissible ripple current

μF \ V	160					200					250				
	Φ20	Φ22	Φ25	Φ30	Φ35	Φ20	Φ22	Φ25	Φ30	Φ35	Φ20	Φ22	Φ25	Φ30	Φ35
220											20 x 30 1.23				
270											20 x 35 1.28	22 x 25 1.28			
330						20 x 30 1.42					20 x 35 1.46	22 x 30 1.46	25 x 25 1.48		
390	20 x 30 1.30					20 x 35 1.62	22 x 25 1.60				20 x 40 1.70	22 x 35 1.70	25 x 25 1.70	30 x 25 1.68	
470	20 x 35 1.60	22 x 25 1.60				20 x 40 1.85	22 x 30 1.85	25 x 25 1.85			20 x 50 1.85	22 x 40 1.95	25 x 30 1.95	30 x 25 1.98	
560	20 x 35 2.07	22 x 30 2.07	25 x 25 2.07			20 x 40 2.10	22 x 35 2.00	25 x 30 2.00	30 x 25 2.00		22 x 45 2.10	25 x 35 2.15	30 x 30 2.13	35 x 25 2.13	
680	20 x 40 2.25	22 x 35 2.26	25 x 30 2.23	30 x 25 2.23		20 x 45 2.33	22 x 40 2.30	25 x 35 2.33	30 x 30 2.30		22 x 50 2.45	25 x 40 2.45	30 x 35 2.45	35 x 30 2.45	
820	20 x 45 2.65	22 x 40 2.66	25 x 30 2.62	30 x 25 2.62		22 x 45 2.65	25 x 40 2.70	30 x 30 2.70	35 x 25 2.65		25 x 45 2.75	30 x 35 2.75	35 x 30 2.75		
1,000		22 x 45 2.82	25 x 35 2.82	30 x 30 2.82	35 x 25 2.82	22 x 50 3.06	25 x 45 3.06	30 x 35 3.06	35 x 30 3.06					30 x 40 3.30	35 x 35 3.30
1,200		22 x 50 3.23	25 x 40 3.23	30 x 35 3.25	35 x 30 3.25		25 x 50 3.35	30 x 40 3.45	35 x 35 3.45					30 x 45 3.50	35 x 40 3.50
1,500			25 x 45 3.61	30 x 40 3.65	35 x 30 3.65				30 x 45 3.90	35 x 40 3.90					35 x 45 4.00
1,800				30 x 45 4.20	35 x 35 4.20					35 x 45 4.35					
2,200					35 x 40 4.96					35 x 50 4.75					
2,700					35 x 45 5.57										

μF \ V	350					400					450					500					
	Φ20	Φ22	Φ25	Φ30	Φ35	Φ20	Φ22	Φ25	Φ30	Φ35	Φ20	Φ22	Φ25	Φ30	Φ35	Φ20	Φ22	Φ25	Φ30	Φ35	
68											20 x 30 0.71					20 x 35 0.50					
82						20 x 30 0.80					20 x 35 0.86	22 x 25 0.86				20 x 40 0.52	22 x 30 0.52	25 x 30 0.53			
100	20 x 30 0.70					20 x 30 0.95	22 x 25 0.95				20 x 40 0.95	22 x 30 0.95	25 x 25 0.95			20 x 45 0.63	22 x 35 0.63	25 x 30 0.64			
120	20 x 30 1.02	22 x 25 1.02				20 x 35 1.09	22 x 30 1.08				20 x 45 1.07	22 x 30 1.07	25 x 30 1.07	30 x 25 1.09		22 x 40 0.74	25 x 35 0.74				
150	20 x 35 1.20	22 x 30 1.20	25 x 25 1.22			20 x 40 1.15	22 x 30 1.14	25 x 25 1.14			20 x 50 1.10	22 x 35 1.18	25 x 30 1.18	30 x 25 1.18		22 x 45 0.80	25 x 40 0.80	30 x 30 0.82			
180	20 x 40 1.34	22 x 35 1.34	25 x 30 1.37			20 x 45 1.24	22 x 35 1.22	25 x 30 1.22	30 x 25 1.15		22 x 40 1.25	25 x 35 1.25	30 x 30 1.27			25 x 45 1.12	30 x 35 1.14				
220	20 x 45 1.40	22 x 40 1.45	25 x 30 1.53	30 x 25 1.54		22 x 40 1.34	25 x 35 1.34	30 x 30 1.35			22 x 45 1.34	25 x 40 1.35	30 x 35 1.35	35 x 25 1.35		25 x 50 1.20	30 x 40 1.20	35 x 30 1.10			
270		22 x 45 1.70	25 x 35 1.73	30 x 30 1.80		22 x 45 1.65	25 x 40 1.79	30 x 35 1.82	35 x 25 1.63		25 x 45 1.45	30 x 40 1.40	35 x 30 1.40			30 x 45 1.25	35 x 35 1.20				
330		22 x 50 1.87	25 x 40 1.97	30 x 35 2.03	35 x 25 1.80		25 x 45 2.00	30 x 35 2.05	35 x 30 2.00					30 x 45 1.68	35 x 35 1.68				30 x 50 1.34	35 x 40 1.30	
390			25 x 45 2.14	30 x 35 2.23	35 x 30 2.30		25 x 50 2.28	30 x 40 2.28	35 x 35 2.28					30 x 50 1.90	35 x 40 1.90					35 x 45 1.38	
470			25 x 50 2.55	30 x 40 2.53	35 x 30 2.55			30 x 45 2.51	35 x 35 2.54						35 x 45 2.10					35 x 50 1.52	
560				30 x 45 2.73	35 x 35 2.75			30 x 50 2.85	35 x 40 2.85						35 x 50 2.40						
680					35 x 40 3.15				35 x 45 3.10												
820					35 x 45 3.47	Case size : ΦD x L(mm) Maximum permissible ripple current[A(rms) at 85°C, 120Hz]															