

FUX SERIES

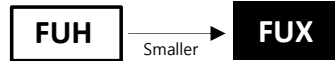
105°C, Miniature, PCB terminal type

Features

- 105°C, Miniature, Snap-in terminal
- PCB Mounting
- High and stable quality
- Smaller than FUH
- Load life of 2,000 hours at 105°C

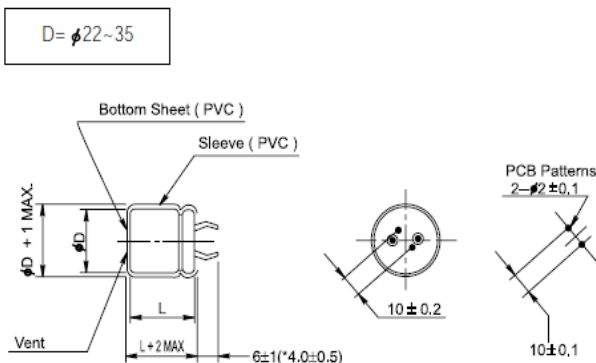


Specifications



Item	Performance Characteristics		
Operating temperature range	-40°C ~ +105°C		-25°C ~ +105°C
Rated working voltage range	160V ~ 250V		350V ~ 500V
Nominal capacitance range	56 μF ~ 2,200 μF , ±20% (at 20°C, 120Hz)		
D.C Leakage current(at 20°C)	The following specifications shall be satisfied when the rated voltage is applied for the required time $I \leq 0.02CV$ or 2mA (5min), whichever is less. Where I = Leakage current(μA) C = Nominal capacitance(μF) V = Rated voltage (V)		
Tan δ (max., at 20°C, 120Hz)	W.V	160~250	350~500
	Tan δ	0.15	0.20
Characteristics at low temperature(max.) (impedance ratio at 120Hz)	W.V(V)	160~250	350~500
	Z-25°C/Z+20°C	4	8
	Z-40°C/Z+20°C	12	-
Load life	After applying rated working voltage for 2,000 hours at +105°C and then listed being stabilized at +20°C, capacitors shall meet following limits.		
	Capacitance change	Within ± 20% of the initial measured value	
	Tan δ	≤ 200% of the initial specified value	
	Leakage current	≤ The initial specified value	
Shelf life	After storage for 1,000hours at + 105°C with no voltage applied and then being stabilized at +20°C, capacitors shall meet following limits.		
	Capacitance change	Within ± 20% of the initial measured value	
	Tan δ	≤ 200% of the initial specified value	
	Leakage current	≤ The initial specified value	

Dimensions



* Shorter terminal is available upon request

Ripple current coefficient

• Frequency

W.V(V) \ Freq(Hz)	50	120	1K	10K	100K
16~100	0.90	1.00	1.10	1.15	1.25
160~250	0.80	1.00	1.25	1.40	1.50
350~500	0.84	1.00	1.15	1.20	1.32

FUX SERIES

▣ Dimensions & Maximum permissible ripple current

μF	V	160				180				200				250			
		Φ22	Φ25	Φ30	Φ35	Φ22	Φ25	Φ30	Φ35	Φ22	Φ25	Φ30	Φ35	Φ22	Φ25	Φ30	Φ35
180														22 x 25 0.75			
220														22 x 30 0.95	25 x 25 0.95		
270						22 x 20 0.95				22 x 25 0.95				22 x 35 1.20	25 x 30 1.20		
330		22 x 20 1.10				22 x 25 1.15				22 x 30 1.20	25 x 25 1.20			22 x 40 1.25	25 x 30 1.25	30 x 25 1.25	
390		22 x 25 1.22	25 x 20 1.25	30 x 20 1.21		22 x 30 1.30	25 x 25 1.30			22 x 35 1.37	25 x 30 1.37			22 x 45 1.45	25 x 35 1.46	30 x 30 1.46	
470		22 x 30 1.30	25 x 25 1.33	30 x 20 1.36		22 x 30 1.38	25 x 30 1.38			22 x 40 1.48	25 x 30 1.48	30 x 25 1.50		22 x 50 1.55	25 x 40 1.55	30 x 30 1.55	35 x 25 1.55
560		22 x 30 1.50	25 x 25 1.52	30 x 25 1.52		22 x 35 1.53	25 x 35 1.53	30 x 25 1.52		22 x 45 1.57	25 x 35 1.59	30 x 30 1.60			25 x 45 1.80	30 x 35 1.78	35 x 30 1.80
680		22 x 35 1.63	25 x 30 1.64	30 x 25 1.68		22 x 40 1.71	25 x 40 1.73	30 x 30 1.75		22 x 50 1.80	25 x 40 1.80	30 x 30 1.80	35 x 25 1.78		25 x 50 2.05	30 x 40 2.05	35 x 35 2.08
820		22 x 40 1.89	25 x 30 1.90	30 x 25 1.91	35 x 25 1.91	22 x 45 2.04	25 x 45 2.04	30 x 35 2.02	35 x 25 2.04		25 x 50 2.15	30 x 35 2.10	35 x 30 2.15			30 x 45 2.20	35 x 35 2.20
1,000			25 x 35 2.14	30 x 30 2.16	35 x 30 2.16		25 x 50 2.30	30 x 40 2.30	35 x 30 2.25			30 x 45 2.40	35 x 35 2.40			30 x 50 2.45	35 x 40 2.45
1,200			25 x 40 2.40	30 x 35 2.44	35 x 30 2.42			30 x 45 2.50	35 x 35 2.50			30 x 50 2.58	35 x 40 2.58				35 x 45 2.60
1,500				30 x 40 2.76	35 x 35 2.76			30 x 50 2.90	35 x 40 2.90				35 x 45 3.05				
1,800				30 x 50 3.20	35 x 45 3.20				35 x 45 3.20				35 x 50 3.40				
2,200				35 x 50 3.70					35 x 50 3.65								

μF	V	350				400				450				500			
		Φ22	Φ25	Φ30	Φ35	Φ22	Φ25	Φ30	Φ35	Φ22	Φ25	Φ30	Φ35	Φ22	Φ25	Φ30	Φ35
56										22 x 25 0.44				22 x 30 0.40			
68						22 x 25 0.50				22 x 30 0.50	25 x 25 0.50			22 x 35 0.50			
82						22 x 25 0.57	25 x 25 0.57			22 x 35 0.57	25 x 30 0.57			22 x 40 0.51	25 x 30 0.53		
100		22 x 25 0.69				22 x 30 0.70	25 x 30 0.70			22 x 40 0.72	25 x 30 0.72	30 x 25 0.72		22 x 45 0.60	25 x 35 0.62		
120		22 x 30 0.75	25 x 25 0.75			22 x 35 0.77	25 x 30 0.76	30 x 25 0.76		22 x 45 0.77	25 x 35 0.77	30 x 30 0.77		22 x 50 0.63	25 x 40 0.65	30 x 30 0.67	
150		22 x 35 0.82	25 x 30 0.82			22 x 40 0.84	25 x 35 0.84	30 x 30 0.84		22 x 50 0.85	25 x 40 0.85	30 x 30 0.85			25 x 45 0.73	30 x 35 0.72	
180		22 x 45 0.94	25 x 35 0.92	30 x 25 0.92		22 x 45 0.94	25 x 40 0.94	30 x 30 0.94	35 x 25 0.94		25 x 45 0.95	30 x 35 0.96			25 x 50 0.80	30 x 40 0.85	35 x 30 0.87
220		22 x 50 1.04	25 x 40 1.04	30 x 30 1.02	35 x 25 1.02		25 x 45 1.08	30 x 35 1.08	35 x 30 1.08		25 x 50 1.10	30 x 40 1.11	35 x 30 1.11			30 x 45 1.00	35 x 35 1.01
270			25 x 45 1.15	30 x 35 1.15	35 x 25 1.15		25 x 50 1.22	30 x 40 1.22	35 x 30 1.22			30 x 45 1.25	35 x 35 1.25			30 x 50 1.15	35 x 40 1.20
330			25 x 45 1.35	30 x 40 1.35	35 x 30 1.35			30 x 45 1.40	35 x 35 1.40			30 x 50 1.43	35 x 40 1.44			30 x 60 1.30	35 x 45 1.31
390			25 x 50 1.52	30 x 45 1.50	35 x 40 1.50			30 x 50 1.55	35 x 40 1.55				35 x 45 1.60				35 x 50 1.47
470			25 x 50 1.70	30 x 45 1.81	35 x 45 1.72				35 x 45 1.75				35 x 50 1.75				35 x 60 1.71
560					35 x 50 1.95				35 x 50 2.00								
680					35 x 50 2.05	Case size : ΦD x L(mm) Maximum permissible ripple current[A(rms) at 105°C, 120Hz]											