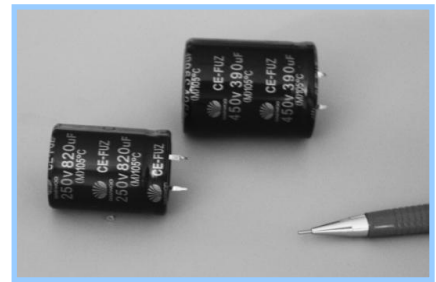


FUZ SERIES

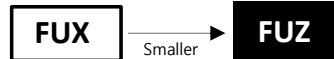
105°C, Ultra Miniature, PCB terminal type

■ Features

- 105°C, Ultra Miniature, Snap-in terminal
- PCB Mounting
- High CV density
- Smaller than FUX
- Load life of 2,000 hours at 105°C

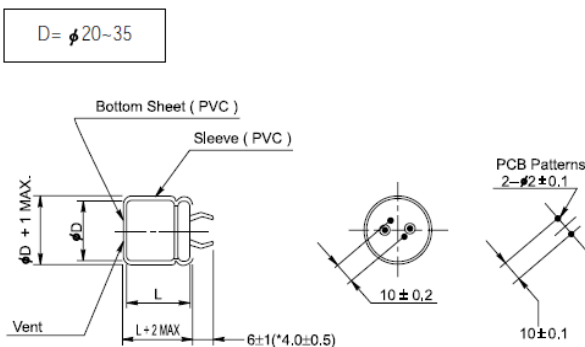


■ Specifications



Item	Performance Characteristics		
Operating temperature range	-40°C ~ +105°C		-25°C ~ +105°C
Rated working voltage range	160V ~ 250V		350V ~ 500V
Nominal capacitance range	68 μF ~ 2,700 μF , ±20% (at 20°C, 120Hz)		
D.C Leakage current(at 20°C)	The following specifications shall be satisfied when the rated voltage is applied for the required time $I \leq 0.02CV$ or 2mA (5min), whichever is less. Where I = Leakage current(μA) C = Nominal capacitance(μF) V = Rated voltage (V)		
Tan δ (max., at 20°C, 120Hz)	W.V	160~250	350~500
	Tan δ	0.15	0.20
Characteristics at low temperature(max.) (impedance ratio at 120Hz)	W.V(V)	160~250	350~500
	Z-25°C/Z+20°C	4	8
	Z-40°C/Z+20°C	12	-
Load life	After applying rated working voltage for 2,000 hours at +105°C and then listed being stabilized at +20°C, capacitors shall meet following limits.		
	Capacitance change	Within ± 20% of the initial measured value	
	Tan δ	≤ 200% of the initial specified value	
	Leakage current	≤ The initial specified value	
Shelf life	After storage for 1,000hours at + 105°C with no voltage applied and then being stabilized at +20°C, capacitors shall meet following limits.		
	Capacitance change	Within ± 20% of the initial measured value	
	Tan δ	≤ 200% of the initial specified value	
	Leakage current	≤ The initial specified value	

■ Dimensions



* Shorter terminal is available upon request

■ Ripple current coefficient

• Frequency

W.V(V) \ Freq(Hz)	50	120	1K	10K	100K
160~250	0.80	1.00	1.25	1.40	1.50
350~500	0.84	1.00	1.15	1.20	1.32

FUZ SERIES

▣ Dimensions & Maximum permissible ripple current

μf \ V	160					200					250									
	Φ20	Φ22	Φ25	Φ30	Φ35	Φ20	Φ22	Φ25	Φ30	Φ35	Φ20	Φ22	Φ25	Φ30	Φ35					
220											20 x 30 1.00	22 x 25 1.00	25 x 20 0.95							
270								22 x 20 0.90					20 x 35 1.18	22 x 25 1.18	25 x 20 1.12					
330		22 x 20 1.10				20 x 30 1.20	22 x 25 1.20				20 x 40 1.21	22 x 30 1.30	25 x 25 1.30	30 x 20 1.30	35 x 20 1.30					
390	20 x 35 1.30	22 x 25 1.30	25 x 20 1.35	30 x 20 1.31		20 x 35 1.40	22 x 25 1.40	25 x 25 1.43	30 x 20 1.43		20 x 40 1.40	22 x 35 1.43	25 x 30 1.43	30 x 25 1.43	35 x 20 1.43					
470	20 x 35 1.50	22 x 30 1.50	25 x 25 1.51	30 x 20 1.54		20 x 40 1.48	22 x 30 1.50	25 x 25 1.50	30 x 20 1.50		20 x 50 1.58	22 x 40 1.65	25 x 30 1.60	30 x 25 1.60	35 x 20 1.6					
560	20 x 35 2.15	22 x 30 1.60	25 x 25 1.60	30 x 25 1.62		20 x 45 1.70	22 x 40 1.67	25 x 30 1.67	30 x 25 1.67	35 x 20 1.67		22 x 45 1.72	25 x 35 1.72	30 x 30 1.75	35 x 25 1.70					
680	20 x 45 1.80	22 x 35 1.82	25 x 30 1.85	30 x 25 1.85			22 x 45 1.76	25 x 35 1.76	30 x 25 1.76	35 x 20 1.72		22 x 50 2.00	25 x 45 2.00	30 x 30 2.00	35 x 20 2.00					
820		22 x 40 2.04	25 x 35 2.15	30 x 30 2.15	35 x 25 2.15		22 x 50 2.03	25 x 40 2.04	30 x 30 2.04	35 x 25 2.04			25 x 50 2.25	30 x 35 2.25	35 x 30 2.25					
1,000			25 x 35 2.35	30 x 30 2.4	35 x 25 2.40			25 x 50 2.32	30 x 35 2.3	35 x 30 2.30				30 x 40 2.55	35 x 35 2.55					
1,200			25 x 40 2.65	30 x 35 2.65	35 x 30 2.70				30 x 40 2.60	35 x 30 2.60				30 x 50 2.85	35 x 40 2.85					
1,500			25 x 45 3.65	30 x 40 3.65	35 x 30 3.65				30 x 45 3.00	35 x 35 3.00					35 x 50 3.10					
1,800				30 x 45 4.20	35 x 35 4.20					35 x 45 3.20										
2,200					35 x 40 4.96															
2,700					35 x 45 5.57															

μf \ V	350					400					450					500					
	Φ20	Φ22	Φ25	Φ30	Φ35	Φ20	Φ22	Φ25	Φ30	Φ35	Φ20	Φ22	Φ25	Φ30	Φ35	Φ20	Φ22	Φ25	Φ30	Φ35	
68											20 x 30 0.71					20 x 35 0.68					
82						20 x 30 0.50	22 x 20 0.55				20 x 35 0.58	22 x 25 0.60	25 x 25 0.62			20 x 40 0.52	22 x 30 0.54	25 x 30 0.54			
100	20 x 30 0.70	22 x 25 0.70				20 x 30 0.65	22 x 25 0.70	25 x 20 0.72			20 x 40 0.62	22 x 30 0.70	25 x 25 0.72			20 x 45 0.62	22 x 35 0.62	25 x 30 0.64			
120	20 x 30 0.78	22 x 25 0.80				20 x 35 0.71	22 x 30 0.76	25 x 25 0.76			20 x 45 0.70	22 x 35 0.75	25 x 30 0.75			20 x 50 0.70	22 x 40 0.72	25 x 35 0.72			
150	20 x 40 0.80	22 x 30 0.85	25 x 25 0.89			20 x 45 0.81	22 x 35 0.88	25 x 25 0.88	30 x 20 0.89		20 x 50 0.75	22 x 40 0.88	25 x 30 0.88	30 x 25 0.89		22 x 45 0.84	25 x 40 0.84	30 x 30 0.86			
180	20 x 45 0.95	22 x 35 0.98	25 x 30 0.98	30 x 25 0.98		20 x 50 1.10	22 x 35 1.10	25 x 30 1.10	30 x 25 1.15	35 x 20 1.02		22 x 45 1.00	25 x 35 1.00	30 x 30 1.00		22 x 50 0.92	25 x 45 0.92	30 x 35 0.94			
220		22 x 40 1.05	25 x 30 1.07	30 x 25 1.10			22 x 40 0.98	25 x 35 0.98	30 x 30 1.02	35 x 20 1.02		22 x 50 1.13	25 x 45 1.15	30 x 35 1.15	35 x 25 1.15			25 x 50 1.10	30 x 40 1.10	35 x 30 1.00	
270		22 x 45 1.20	25 x 35 1.23	30 x 30 1.23				25 x 40 1.26	30 x 30 1.28	35 x 25 1.28			25 x 50 1.28	30 x 40 1.28	35 x 30 1.30				30 x 45 1.22	35 x 35 1.20	
330			25 x 40 1.36	30 x 35 1.41	35 x 25 1.41			25 x 45 1.44	30 x 35 1.44	35 x 30 1.44					30 x 45 1.46	35 x 35 1.46				30 x 50 1.34	35 x 40 1.24
390			25 x 45 1.42	30 x 40 1.55	35 x 30 1.55			25 x 50 1.51	30 x 40 1.60	35 x 30 1.60					30 x 50 1.65	35 x 40 1.70					35 x 45 1.42
470			25 x 50 1.65	30 x 45 1.78	35 x 30 1.82				30 x 45 1.85	35 x 35 1.85						35 x 50 1.95					35 x 50 1.55
560				30 x 50 2.00	35 x 35 2.00	Case size : ΦD x L(mm) Maximum permissible ripple current[mA(rms) at 105°C, 120Hz]															