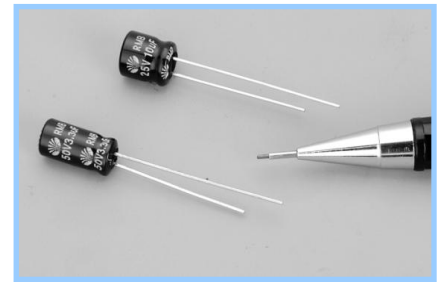


# RNB SERIES

85°C, 5mm Height, Bi-Polar Radial Leads

## ■ Features

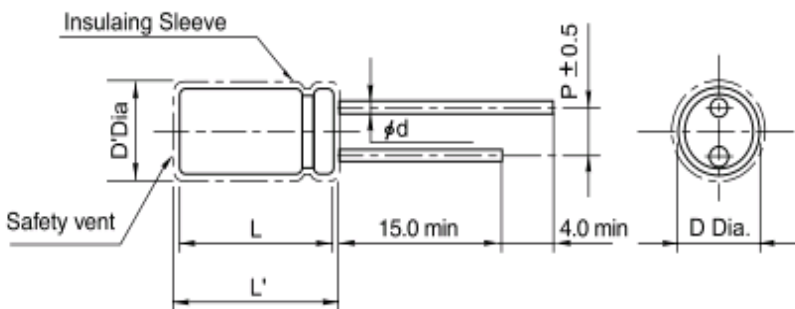
- 5mm Height, Bi-Polar, Radial
- Automatic insertion is available
- Load life of 1,000 hours at 85°C



## ■ Specifications

Item	Performance Characteristics						
Operating temperature range	-40°C ~ +85°C						
Rated working voltage range	6.3V ~ 50V						
Nominal capacitance range	0.1 μF ~ 47 μF , ±20% (at 20°C, 120Hz)						
D.C Leakage current(at 20°C)	The following specifications shall be satisfied when the rated voltage is applied for the required time						
	I ≤ 0.06CV or 10μA (1min), whichever is greater.						
	Where I = Leakage current(μA)      C = Nominal capacitance(μF)      V = Rated voltage (V)						
Tan δ (max., at 20°C, 120Hz)	W.V	6.3	10	16	25	35	50
	Tan δ	0.24	0.20	0.17	0.17	0.15	0.15
Characteristics at low temperature(max.) (impedance ratio at 120Hz)	W.V(V)	6.3	10	16	25	35	50
	Z-25°C/Z+20°C	6	3	2	2	2	2
	Z-40°C/Z+20°C	10	8	6	4	3	3
Load life	After applying rated working voltage for 1,000 hours at +85°C and then listed being stabilized at +20°C, capacitors shall meet following limits.						
	Capacitance change	Within ±25% of the initial measured value					
	Tan δ	≤ 200% of the initial specified value					
	Leakage current	≤ The initial specified value					
Shelf life	After storage for 1,000hours at + 85°C with no voltage applied and then being stabilized at +20°C, capacitors shall meet following limits.						
	Capacitance change	Within ±20% of the initial measured value					
	Tan δ	≤ 200% of the initial specified value					
	Leakage current	≤ 200% of the initial specified value					

## ■ Dimensions



• Standard lead style

Φ D	4.0	5.0	6.3
P	1.5	2.0	2.5
Φ d	0.45		

$D' = [D+0.5] \text{ Max. } L' = [L+1.5] \text{ Max.}$

# RNB SERIES

## ▣ Dimensions & Maximum permissible ripple current

$\mu\text{F}$ \ V	6.3	10	16	25	35	50
0.10						4 x 5 1
0.22						4 x 5 2
0.33						4 x 5 4
0.47						4 x 5 6
1.0						4 x 5 8
2.2				4 x 5 8	4 x 7 8	4 x 5 13
3.3			4 x 5 9	4 x 5 12	5 x 7 14	4 x 5 18
4.7		4 x 5 10	4 x 5 12	5 x 5 17	6.3 x 7 19	5 x 5 27
10	4 x 5 20	4 x 5 23	5 x 5 26	6.3 x 5 32	6.3 x 7 35	6.3 x 5 43
22	5 x 5 25	5 x 5 37	6.3 x 5 40	6.3 x 5 52		
33	5 x 5 40	6.3 x 5 50	6.3 x 5 55			
47	6.3 x 5 63	6.3 x 5 65	Case size : $\Phi\text{D} \times \text{L}(\text{mm})$ Maximum permissible ripple current[mA(rms) at 85°C, 120Hz]			