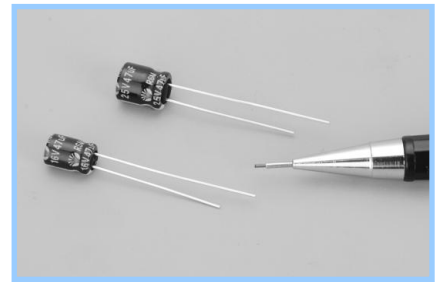


# RSM SERIES

85°C, 7mm Height, Radial Leads

## ■ Features

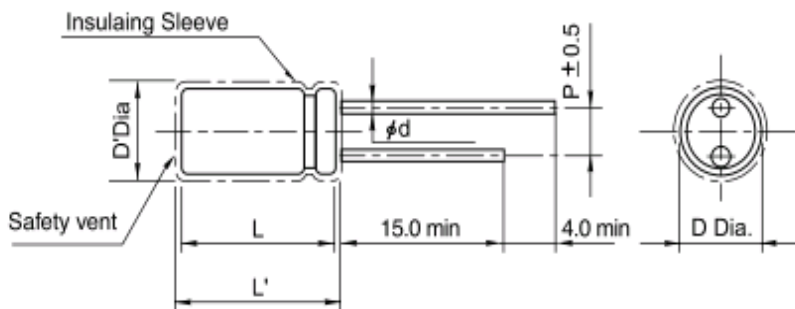
- 7(9mm)mm Height, standard, Radial
- Automatic insertion is available
- Load life of 2,000 hours at 85°C



## ■ Specifications

Item	Performance Characteristics						
Operating temperature range	-40°C ~ +85°C						
Rated working voltage range	6.3V ~ 50V						
Nominal capacitance range	0.1 μF ~ 470 μF , ±20% (at 20°C, 120Hz)						
D.C Leakage current(at 20°C)	The following specifications shall be satisfied when the rated voltage is applied for the required time						
	I ≤ 0.01CV or 3μA (2min), whichever is greater.						
	Where I = Leakage current(μA)      C = Nominal capacitance(μF)      V = Rated voltage (V)						
Tan δ (max., at 20°C, 120Hz)	W.V	6.3	10	16	25	35	50
	Tan δ	0.24	0.20	0.17	0.15	0.12	0.10
Characteristics at low temperature(max.) (impedance ratio at 120Hz)	W.V(V)	6.3	10	16	25	35	50
	Z-25°C/Z+20°C	4	3	2	2	2	2
	Z-40°C/Z+20°C	8	6	4	4	4	4
Load life	After applying rated working voltage for 2,000 hours at +85°C and then listed being stabilized at +20°C, capacitors shall meet following limits.						
	Capacitance change	Within ±25% of the initial measured value					
	Tan δ	≤ 200% of the initial specified value					
	Leakage current	≤ The initial specified value					
Shelf life	After storage for 1,000hours at + 85°C with no voltage applied and then being stabilized at +20°C, capacitors shall meet following limits.						
	Capacitance change	Within ±20% of the initial measured value					
	Tan δ	≤ 200% of the initial specified value					
	Leakage current	≤ 200% of the initial specified value					

## ■ Dimensions



• Standard lead style

Φ D	4.0	5.0	6.3
P	1.5	2.0	2.5
Φ d	0.45		

D' = [D+0.5] Max. L' = [L+1.5] Max.

# RSM SERIES

## ▣ Dimensions & Maximum permissible ripple current

$\mu\text{F}$ \ V	6.3	10	16	25	35	50
0.10						4 x 7 1
0.22						4 x 7 2
0.33						4 x 7 3
0.47						4 x 7 5
1.0						4 x 7 10
2.2						4 x 7 16
3.3						4 x 7 18
4.7					4 x 7 21	4 x 7 25
6.8					4 x 7 25	5 x 7 28
10				4 x 7 28	4 x 7 31	5 x 7 35
22		4 x 7 35	4 x 7 40	5 x 7 50	5 x 7 55	6.3 x 7 58
33	4 x 7 40	4 x 7 44	5 x 7 55	5 x 7 63	6.3 x 7 66	8 x 9 85
47	4 x 7 48	5 x 7 60	5 x 7 65	6.3 x 7 78	8 x 9 96	8 x 9 105
100	5 x 7 78	6.3 x 7 87	6.3 x 7 98	8 x 9 125		
220	6.3 x 7 110	8 x 9 148	8 x 9 187			
330	8 x 9 180					
470	8 x 9 241	Case size : $\Phi\text{D} \times \text{L}(\text{mm})$ Maximum permissible ripple current[mA(rms) at 85°C, 120Hz]				