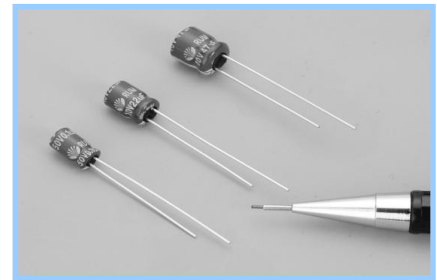


RUM SERIES

105°C, 7mm Height, Radial Leads

Features

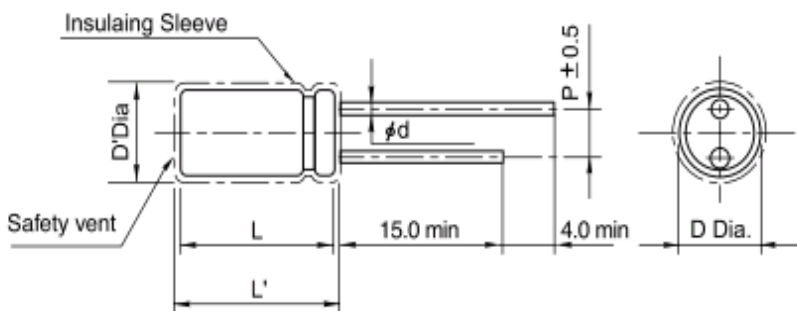
- 7mm Height, Radial
- Wide temperature range
- Automatic insertion is available
- Load life of 2,000 hours at 105°C



Specifications

| Item | Performance Characteristics | | | | | | | |
|---|---|--|------|------|------|------|------|--|
| Operating temperature range | -40°C ~ +105°C | | | | | | | |
| Rated working voltage range | 6.3V ~ 50V | | | | | | | |
| Nominal capacitance range | 0.1 μF ~ 100 μF , ±20% (at 20°C, 120Hz) | | | | | | | |
| D.C Leakage current(at 20°C) | The following specifications shall be satisfied when the rated voltage is applied for the required time | | | | | | | |
| | I ≤ 0.01CV or 3μA (2min), whichever is greater. | | | | | | | |
| | Where I = Leakage current(μA) C = Nominal capacitance(μF) V = Rated voltage (V) | | | | | | | |
| Tan δ (max., at 20°C, 120Hz) | W.V | 6.3 | 10 | 16 | 25 | 35 | 50 | |
| | Tan δ | 0.24 | 0.20 | 0.17 | 0.15 | 0.12 | 0.10 | |
| Characteristics at low temperature(max.) (impedance ratio at 120Hz) | W.V(V) | 6.3 | 10 | 16 | 25 | 35 | 50 | |
| | Z-25°C/Z+20°C | 4 | 3 | 2 | 2 | 2 | 2 | |
| | Z-40°C/Z+20°C | 8 | 6 | 4 | 4 | 3 | 3 | |
| Load life | After applying rated working voltage for 2,000 hours at +105°C and then listed being stabilized at +20°C, capacitors shall meet following limits. | | | | | | | |
| | Capacitance change | Within ±25% of the initial measured value | | | | | | |
| | Tan δ | ≤ 200% of the initial specified value | | | | | | |
| | Leakage current | ≤ The initial specified value | | | | | | |
| Shelf life | After storage for 1,000hours at + 105°C with no voltage applied and then being stabilized at +20°C, capacitors shall meet following limits. | | | | | | | |
| | Capacitance change | Within ±20% of the initial measured value (25% for 16V≤WV) | | | | | | |
| | Tan δ | ≤ 200% of the initial specified value | | | | | | |
| | Leakage current | ≤ 200% of the initial specified value | | | | | | |

Dimensions



· Standard lead style

| Φ D | 4.0 | 5.0 | 6.3 |
|-----|------|-----|-----|
| P | 1.5 | 2.0 | 2.5 |
| Φ d | 0.45 | | |

$D' = [D+0.5]$ Max. $L' = [L+1.5]$ Max.

RUM SERIES

▣ Dimensions & Maximum permissible ripple current

| μF \ V | 6.3 | 10 | 16 | 25 | 35 | 50 |
|-------------------|---------------|---------------|--|---------------|---------------|---------------|
| 0.10 | | | | | | 4 x 7 2 |
| 0.22 | | | | | | 4 x 7 3 |
| 0.33 | | | | | | 4 x 7 5 |
| 0.47 | | | | | | 4 x 7 6 |
| 1.0 | | | | | | 4 x 7 10 |
| 2.2 | | | | | | 4 x 7 15 |
| 3.3 | | | | | | 4 x 7 20 |
| 4.7 | | | | 4 x 7 20 | 4 x 7 25 | 5 x 7 25 |
| 6.8 | | | 4 x 7 25 | 4 x 7 30 | 5 x 7 35 | 6.3 x 7 30 |
| 10 | | | 4 x 7 35 | 5 x 7 40 | 5 x 7 45 | 6.3 x 7 40 |
| 22 | 4 x 7 35 | 5 x 7 40 | 5 x 7 45 | 6.3 x 7 55 | 6.3 x 7 60 | 6.3 x 7 50 |
| 33 | 5 x 7 45 | 5 x 7 50 | 6.3 x 7 65 | 6.3 x 7 70 | | |
| 47 | 5 x 7 60 | 6.3 x 7 75 | 6.3 x 7 80 | | | |
| 100 | 6.3 x 7 90 | 6.3 x 7 95 | Case size : $\Phi\text{D} \times \text{L}(\text{mm})$ Maximum permissible ripple current[mA(rms) at 105°C, 120Hz] | | | |